

ProFeeder X-XL

Higher production capacity and
extended storage compartment



DORMAC
COBOTS

EasyRobotics[®]
- we move your parts

ProFeeder X-XL

COMPLETE AUTOMATION

ProFeeder X-XL allows you to automate the process of supplying parts, speed up production process and increase the volume of products.

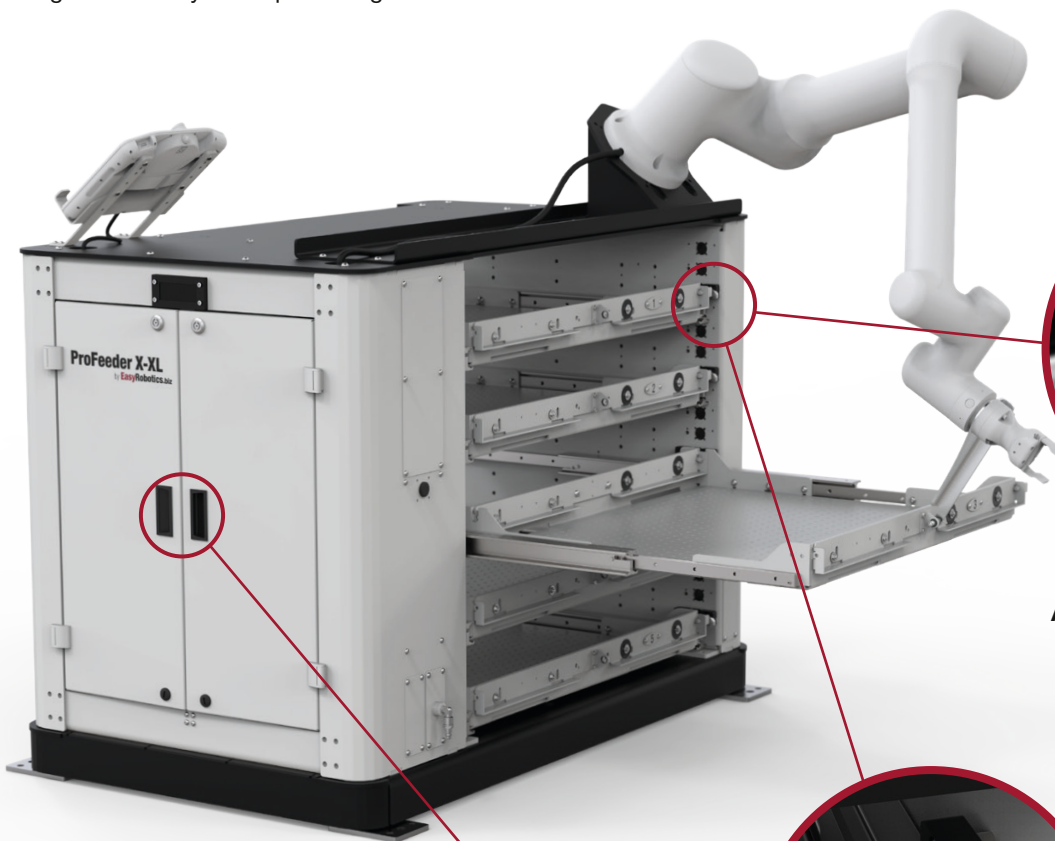
2 LOCKING SYSTEMS AVAILABLE

Mechanical or Air locking systems available. Airlocks run in Modbus.

LARGER CAPACITY AND DIMENSIONS

ProFeeder X-XL is 500mm wider, than the standard ProFeeder X and is available with 2 or 5 trays. It can handle workpieces up to 160 mm in height with a tray load up to 90 kg.

UP TO
5
TRAYS



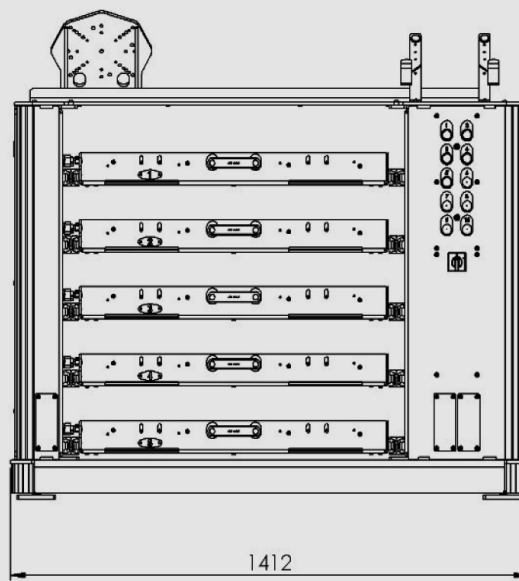
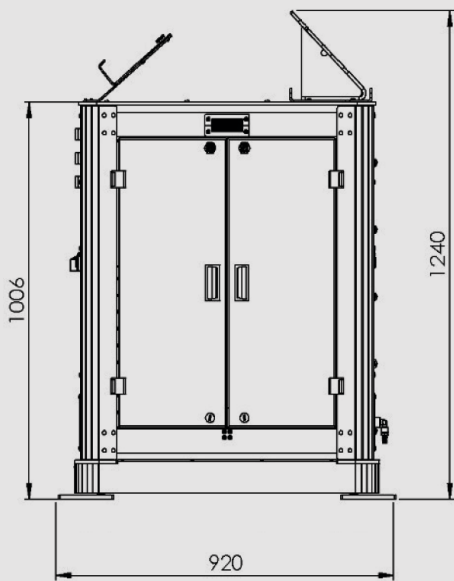
AIRLOCK SYSTEM

MECHLOCK SYSTEM

INTEGRATED
COMPARTMENT FOR
CONTROLLER BOX

Benefits:

- Contains up to 5 trays
- Designed for large volume production & bigger parts
- Can handle pieces up to 160 mm in height
- 0 or 45 ° cobot mounting angle for 100% reach
- Compact dimensions - H1006*W1412*L920 mm



Product order overview

PFX-2100-02	ProFeeder X-XL 2x 90kg tray w. Mechlock	H: 1006 mm, W: 1412, L: 920, Wt: 535 kg, 2x 780x620mm tray area, 2,5mm deflection at 90kg, Max part height 160mm, Mechlock
PFX-2101-02	ProFeeder X-XL 2x 90kg tray w. Airlock	H: 1006 mm, W: 1412, L: 920, Wt: 550 kg, 2x 780x620mm tray area, 2,5mm deflection at 90kg, Max part height 160mm, Airlock
PFX-2100-05	ProFeeder X-XL 5x 90kg tray w. Mechlock	H: 1006 mm, W: 1412, L: 920, Wt: 685 kg, 5x 780x620mm tray area, 2,5mm deflection at 90kg, Max part height 160mm, Mechlock
PFX-2101-05	ProFeeder X-XL 5x 90kg tray w. Airlock	H: 1006 mm, W: 1412, L: 920, Wt: 700 kg, 5x 780x620mm tray area, 2,5mm deflection at 90kg, Max part height 160mm, Airlock

EasyRobotics®
- we move your parts

